

Nikon XF SERIES TOTAL STATION

QUICK START GUIDE

Nikon XF SERIES TOTAL STATION

QUICK START GUIDE

Safety information

The Nikon XF Series Total Station is a CLASS 2 LASER PRODUCT in accordance with: IEC60825-1:2014:“Safety of Laser Products”.

Precautions: To counteract hazards, it is essential for all users to pay careful attention to the safety precautions and control measures specified in the standard IEC60825-1:2014. For further information please refer to the *Nikon XF User Guide*.

Note – This product complies with IEC 60825-1:2014 and IEC 60825-1:2007 and 21 CFR 1040.10 and 1040.11 except for deviations pursuant to Laser Notice no. 50, dated June 24, 2007.

Warning: Only qualified and trained persons should be assigned to install, adjust and operate the laser equipment.

Warning: Precautions should be taken to ensure that persons do not look directly, with or without an optical instrument, into the beam.

Warning: Laser beam path should be located well above or below eye level wherever practicable.

Table 1.1 Specifications for laser emission

Laser pointer Class 2	
Wave length	630-680 nm
Output power	CW Po ≤ 1 mW
Distance meter Class 1	
Wave length	850-890 nm
Output power	Pulse Po ≤ 22 W
Pulse width	< 5 ns
Laser plummet Class 2	
Wave length	635 nm
Output power	CW Po < 1.0 mW

Table 1.2 Conforming standards

E.U.	IEC60825-1:2014 Laser Pointer: Class 2 Distance Meter: Class 1 Laser plummet: Class 2
USA	FDA21CFR Part 1040 Sec.1040.10 and 1040.11 (except for deviations pursuant to Laser Notice No.50, dated June 24, 2007)

For further details regarding the features and operations of this instrument, and to access the latest information including instruction manuals and application software please refer to www.spectraprecision.com.

© 2017, Trimble Inc. All rights reserved. Trimble is a trademark of Trimble Inc. registered in the United States Patent and Trademark Office and other countries. Nikon is a registered trademark of Nikon. All other trademarks are the property of their respective owners.

Spectra Precision
10368 Westmoor Dr.
Westminster, CO, 80021
USA

www.spectraprecision.com

This is the September 2017 release version 1.00 of the Nikon XF Series Total Station Quick Start Guide, P/N 114465-01. It applies to the Nikon XF total station.

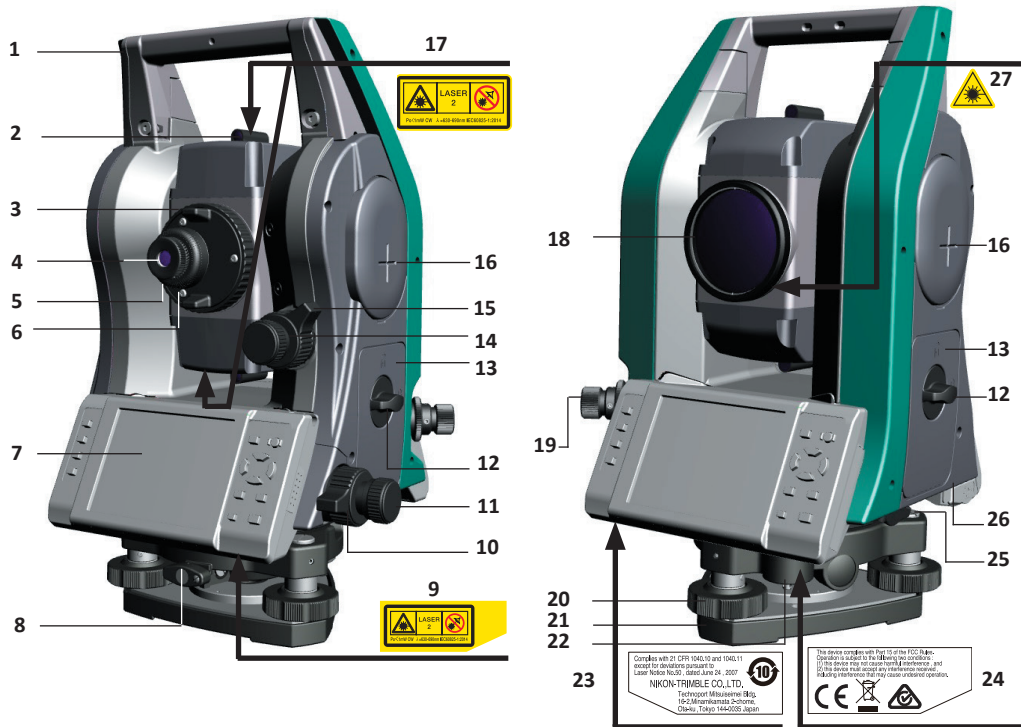


Version: 1.00
September 2017
Part Number: 114465-01



Nikon

Nikon



Item	Description	Item	Description
1	Carrying handle	15	Vertical clamp
2	Optical sight (Finder)	16	Horizontal axis indication mark
3	Telescope focusing ring	17	Laser Safety label. Attached to the telescope.
4	Telescope eyepiece	18	Objective. LASER LIGHT IS EMITTED FROM THIS PART.
5	Diopter ring	19	Optical or optional laser plummet. (This picture shows the optical plummet.)
6	Reticle plate cover	20	Leveling screw
7	Face-1 display / keyboard	21	Tribrach
8	Tribrach clamp knob	22	Circular level
9	Laser Safety label. Attached underside when the instrument is laser plummet model.	23	CFR label. Attached to the underside of the keyboard.
10	Horizontal clamp	24	FCC label. Attached to the underside of the keyboard.
11	Horizontal tangent screw	25	Data output / external power / input connector. CAUTION: Input voltage shall be 4.5-5.2 V DC
12	Battery box release knob	26	USB ports (x2)
13	Battery box	27	Laser Safety label. Attached to the telescope.
14	Vertical tangent screw		

Standard components

- Instrument main body
- Battery pack (x 2)
- Battery charger
- AC adapter
- Adjustment pin, Allen wrench
- Objective lens cap
- Rain/dust cover
- Carrying case
- Shoulder strap (x 2)
- USB cable

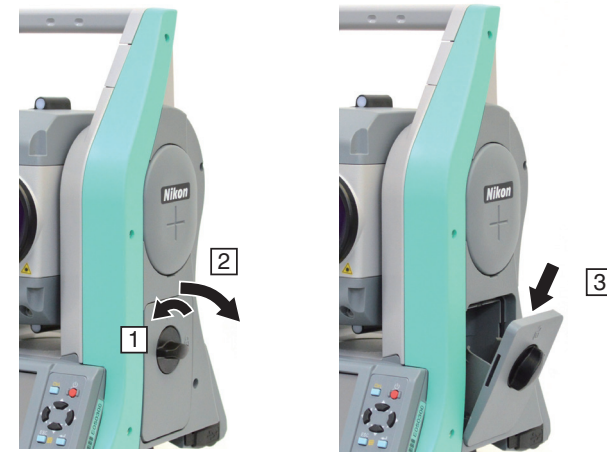
Charging the battery pack

Warning: Before charging or connecting the battery, please refer to the battery safety information in the *Nikon XF Series Total Station Instruction Manual*.

The battery pack is supplied partly charged. Before using the battery for the first time, charge the battery completely using the supplied battery charger.

Inserting the battery pack

Before inserting the battery pack, clear any dust or other foreign particles from the battery contacts.



1. Turn the battery box release knob counterclockwise and open the battery box cover.
2. Put the battery pack into the battery box. Insert the battery pack with the connectors bottom first, facing inside.
3. Close the battery box cover and turn the knob clockwise until the secure click sound is heard.

CAUTION: If the battery box cover is not closed, this could adversely affect the watertightness of the instrument.