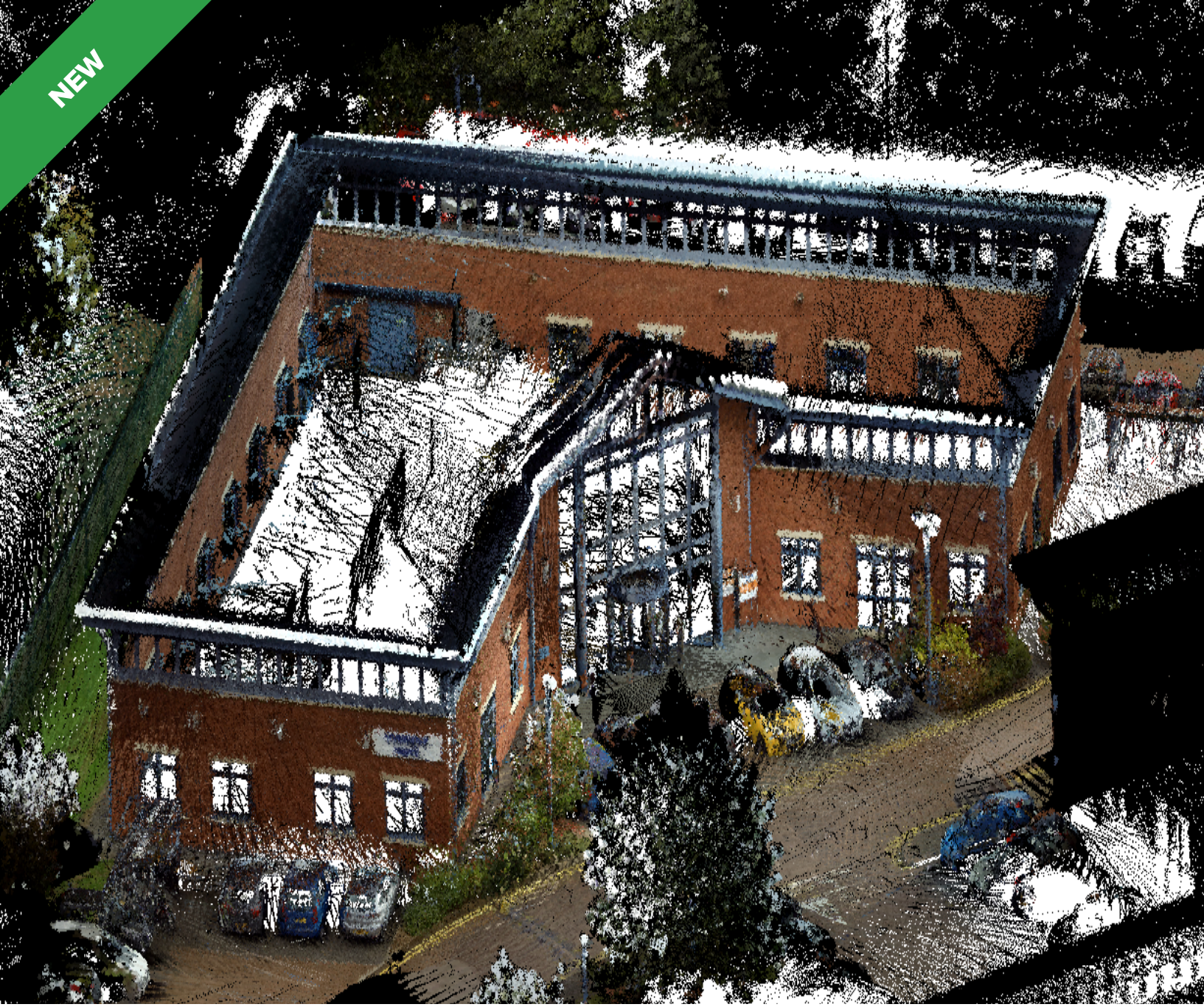


NEW



ZEB HORIZON

Effortless data capture

Your new tool to capture, process and understand the world around you.



geoslam.com

Introducing the ZEB-HORIZON

Meet the newest member of the GeoSLAM family - the ZEB-HORIZON 3D mobile scanner.

With a range of 100m, the ZEB-HORIZON is great for outdoor use, yet its lightweight and compact design also makes it perfect for indoor surveys.

With powerful SLAM technology at its heart, the ZEB-HORIZON can be used in remote areas with poor GPS - such as underground or in forest environments.

Unlimited Possibilities

The complete Solution comes in a backpack for simple transportation and ease of use.

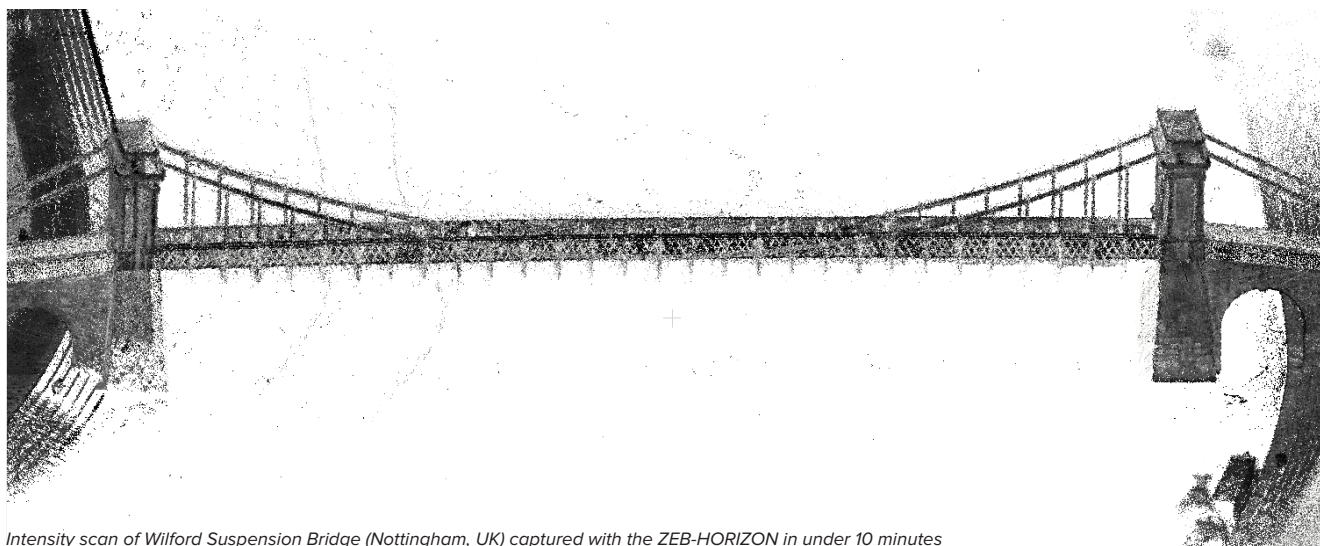
Elevate the ZEB-HORIZON with an extendable pole to increase scanner range, or to access hard-to-reach spaces (such as ceiling voids).

Attach the ZEB-HORIZON to the GeoSLAM Cradle to lower into inaccessible areas (such as manholes).

Mount the ZEB-HORIZON to a drone and take to the skies for complete coverage of all features.



- + Scan outdoors and indoors with ease
- + Build a highly accurate 3D model within minutes
- + Cutting edge technology with the latest SLAM algorithm
- + 300,000 points per second with an accuracy of 1-3cm*



Intensity scan of Wilford Suspension Bridge (Nottingham, UK) captured with the ZEB-HORIZON in under 10 minutes

Cover image shows exterior of GeoSLAM HQ captured with the ZEB-HORIZON plus ZEB-CAM in 5 minutes



With no reliance on GPS, the ZEB-HORIZON is ideal for scanning in remote areas, or even underground environments

“Collection is as simple as ‘walk and scan’ - in any environment - indoors, outdoors - even underground”

GeoSLAM Hub + Draw

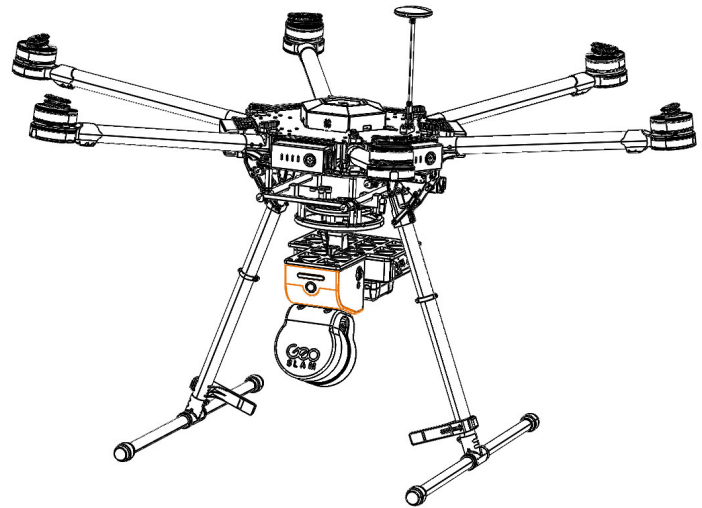
Transform your 3D scan data into actionable information

Automatic registration of multiple scans and geo-referencing

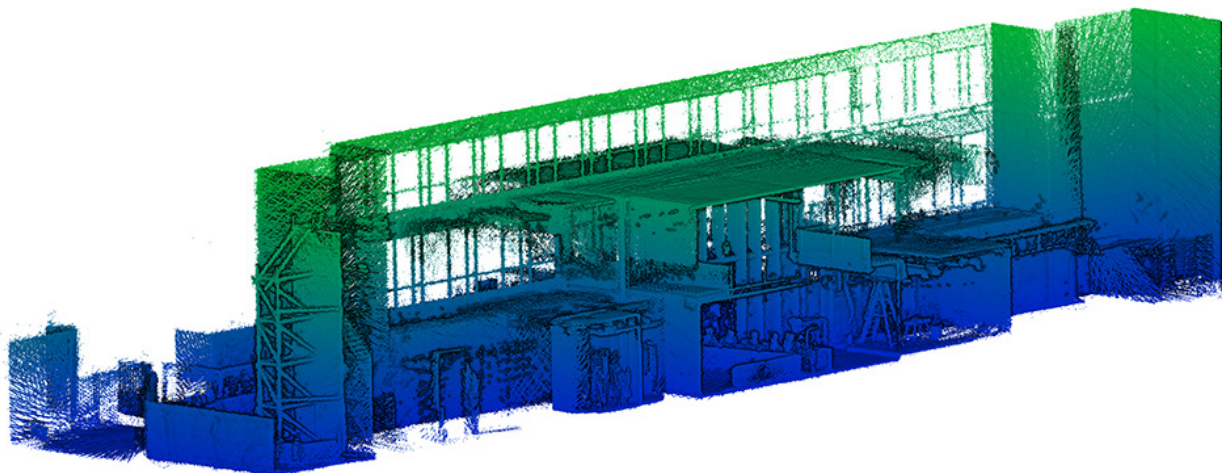
Import and manipulate data from any GeoSLAM device

Quick & easy workflows with ‘drag and drop’ functionality

Survey grade data accuracy



The ZEB-HORIZON is UAV-ready - allowing for airborne utilisation



Scanning hard-to-reach, underground or complex, indoor environments such as construction sites proves no challenge for the ZEB-HORIZON

About GeoSLAM

Headquartered in the UK, GeoSLAM is a global market leader in “go-anywhere” 3D mobile mapping technology. Our unique handheld technology is highly versatile and adaptable to all environments – especially spaces that are indoor, underground or difficult to access, providing accurate 3D mapping without the need for GPS.

Our technology is easy to use and within minutes customers can build a highly accurate 3D model of their environment. GeoSLAM was founded in 2012 as a joint venture between CSIRO (Australia’s National Science Agency and the inventors of Wi-Fi) and 3D Laser Mapping. Serving the surveying, engineering, mining, forestry, facilities and asset management sectors, GeoSLAM has an expanding network of over 78 distributors, with a presence in 57 countries across 6 continents.



Get in Touch

Speak to us about the new ZEB-HORIZON today - by contacting us using the details below.



GeoSLAM, Innovation House,
Mere Way, Ruddington Fields Business Park,
Ruddington, Nottinghamshire, NG11 6JS,
United Kingdom

+44 (0) 1949 831 814

info@geoslam.com

geoslam.com